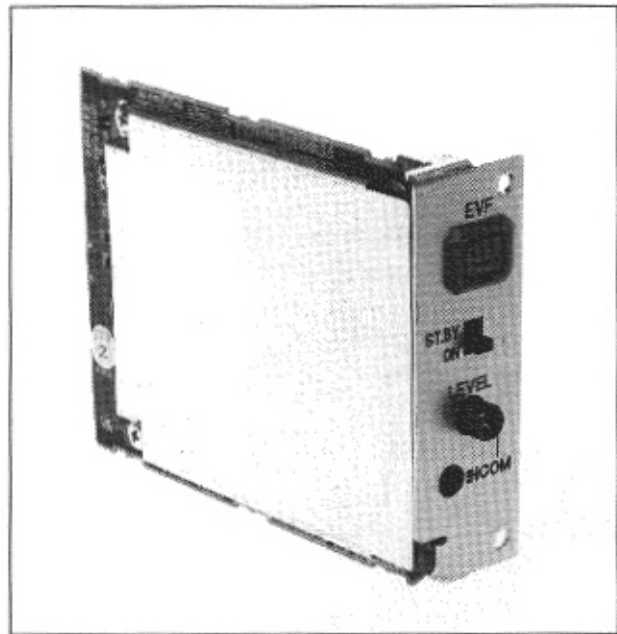


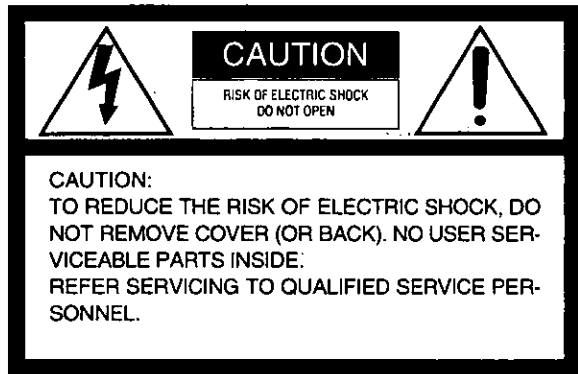
Studio Card
AW-PB301/PB305

Operating Instructions



Panasonic®

Before attempting to connect or operate this product,
please read these instructions completely.



SA 1965

The lightning flash with arrowhead symbol, within an equilateral triangle, is intended to alert the user to the presence of uninsulated "dangerous voltage" within the product's enclosure that may be of sufficient magnitude to constitute a risk of electric shock to persons.



SA 1966

The exclamation point within an equilateral triangle is intended to alert the user to the presence of important operating and maintenance (servicing) instructions in the literature accompanying the appliance.

WARNING:
TO PREVENT FIRE OR SHOCK HAZARD, DO NOT EXPOSE THIS APPLIANCE TO RAIN OR MOISTURE.

For U.S.A -

NOTE: This equipment has been tested and found to comply with the limits for a Class A digital device, pursuant to part 15 of the FCC Rules. These limits are designed to provide reasonable protection against harmful interference when the equipment is operated in a commercial environment. This equipment generates, uses, and can radiate radio frequency energy and, if not installed and used in accordance with the instruction manual, may cause harmful interference to radio communications. Operation of this equipment in a residential area is likely to cause harmful interference in which case the user will be required to correct the interference at his own expense.

For CANADA -

This digital apparatus does not exceed the Class A limits for radio noise emissions from digital apparatus set out in the Radio Interference Regulations of the Canadian Department of Communications.

The information marking of this product may be found on the bottom of the unit.

The serial number of this product may be found on the bottom of the unit.

You should note the serial number of this unit in the space provided and retain this book as a permanent record of your purchase to aid identification in the event of theft.

Model No. _____

Serial No. _____

CONTENTS

| | |
|--|----|
| PREFACE | 2 |
| SPECIAL NOTES ON OPERATION | 2 |
| PRECAUTIONS | 3 |
| MAJOR OPERATING CONTROLS AND THEIR FUNCTIONS | 4 |
| MOUNTING | 5 |
| CONNECTING A STUDIO SYSTEM | 7 |
| MENU ITEM SETTING | 8 |
| APPEARANCE | 12 |
| SPECIFICATIONS | 13 |
| STANDARD ACCESORIES | 13 |

PREFACE

- When the studio card AW-PB301/AW-PB305 is installed in a convertible camera, for example, AW-E300, the electronic viewfinder (EVF) and intercom will be usable, making it possible to use the camera in studios.
- When the studio card AW-PB301 is installed in a convertible camera, for example, AW-E300, R/G/B or Y/Pr/Pb component signals can be output.
- When the studio card AW-PB305 is installed, only composite video signals and Y/C signals will be output.

SPECIAL NOTES ON OPERATION

- **Power Off Before Connecting or Disconnecting Cables**

Before plugging or unplugging the cables, be sure to switch power off.

- **Handle Carefully.**

Do not drop the product, or subject it to strong shock or vibration. This is important to prevent trouble.

- **Avoid Humidity and Dust.**

Avoid using the product at a humid, dusty place because much humidity and dust will cause damage to the parts inside.

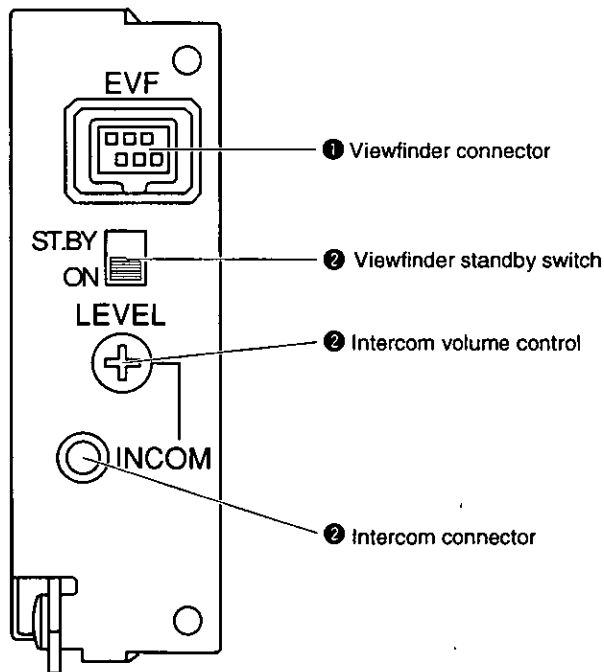
- **Operating Temperature Range**

Avoid using the product at a cold place below -10°C or at a hot place above +45°C because extremely low or high temperature will adversely affect the parts inside.

PRECAUTIONS

- Ask a qualified service person for repairs when necessary.
- Do not attempt to disassemble the camera, Remote Control Unit (RCU) or other units. In order to prevent electric shock, do not remove screws or covers. There are no user-serviceable parts inside.
- Do not let water, metal, or other foreign objects inside. This is important to prevent fire and electric shock.
- If you see smoke or smell an odor from the product, if water or other foreign matter gets inside, if it is damaged by dropping, or if you find anything wrong with it, immediately stop using it.

MAJOR OPERATING CONTROLS AND THEIR FUNCTIONS



1 Viewfinder connector [EVF]

Connect the cable for the viewfinder mounting bracket AW-Q40.

2 Viewfinder standby switch [ST.BY/ON]

When this switch is set to [ST.BY], the viewfinder will be in standby condition. The position ON, the picture is shown in the viewfinder screen.

3 Intercom volume control [LEVEL]

Used to adjust intercom volume level.

4 Intercom connector [INCOM]

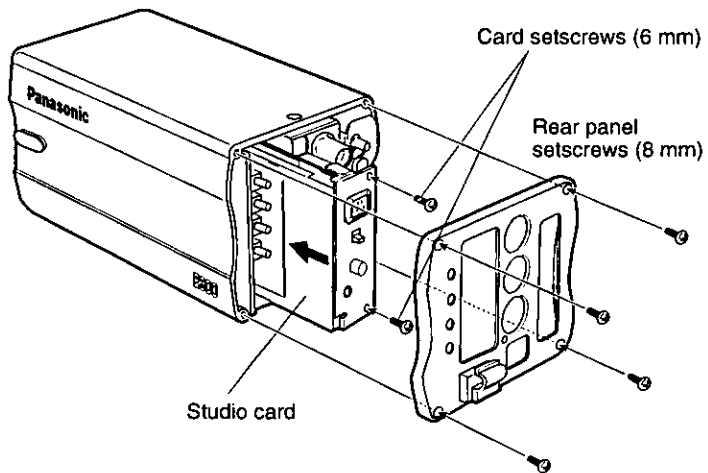
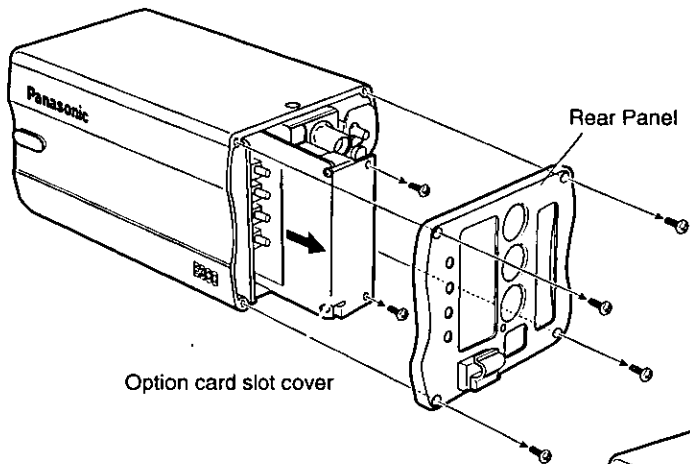
Connect an intercom to this connector. If the intercom plug has a different diameter, use the conversion adapter supplied as an accessory.

MOUNTING

CAUTION

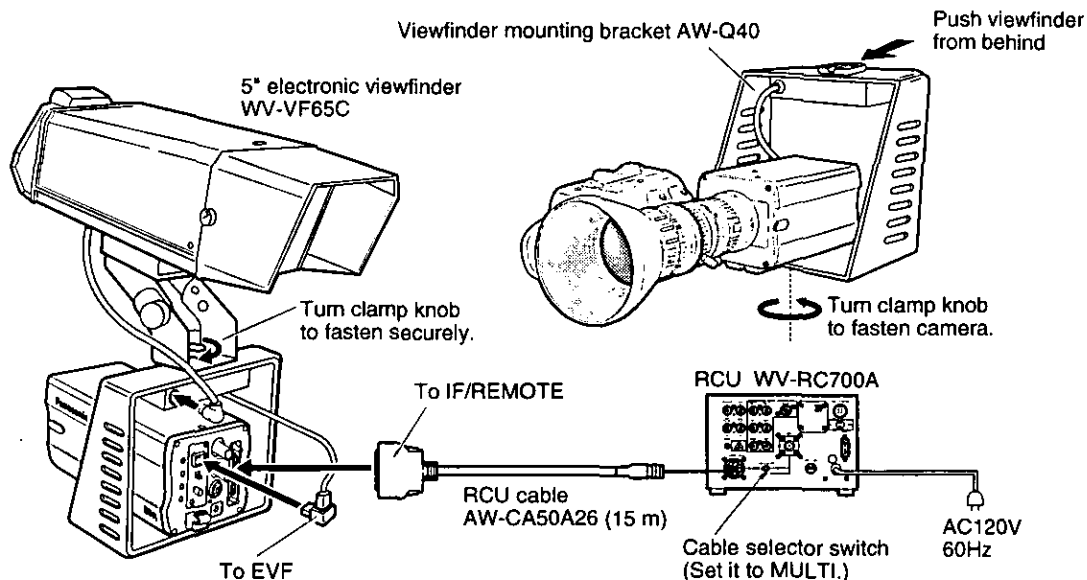
- Be sure to ask your store, where you purchased the product, for mounting.
- Disconnect the camera power connector before mounting.
- Before handling the card, touch a metal part of the camera to discharge the static from the human body.
An anti-static wrist strap is recommended for added safety.
If you touch the card while you are still charged with static, it may cause trouble.
- Keep the metal parts of the card free of contact with other metal parts.

- (1) Switch the camera off, and disconnect the power connector and other cables from the camera.
- (2) Loosen the four screws on the rear of the camera and remove the rear panel.
- (3) Loosen the two screws for the option card slot and remove the cover.
- (4) Insert the Studio card along the guide rail at the bottom of the camera and the tab above.
Insert it securely all the way.
- (5) Tighten the two card setscrews securely.
If you have lost the screws, use the screws (6 mm long) supplied as accessories.
- (6) Fasten the rear panel with the four screws.
If you have lost the screws, use the screws (8 mm long) supplied as accessories.
- (7) Plug the cables back as necessary, connect the power connector, then switch power on.



CONNECTING A STUDIO SYSTEM

- To connect an RCU (WV-RC700A or WV-RC550) to the camera, use the RCU cable AW-CA50A26.
- To mount the 5-inch electronic viewfinder WV-VF65C on the camera, use the viewfinder mounting bracket AW-Q40.
- Power is supplied from the RCU.



MENU ITEM SETTING

A convertible camera, for example, AW-E300, can be set using the menu as suited to the system and shooting conditions. For details, refer to the operation manual for the camera.

■ Setup Procedures (Output Signal Selection)

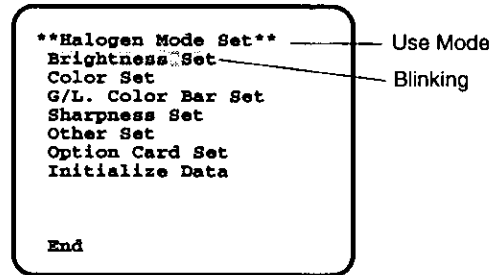
(1) Display the main menu.

Camera alone: Keep the menu switch depressed for 5 seconds or more.

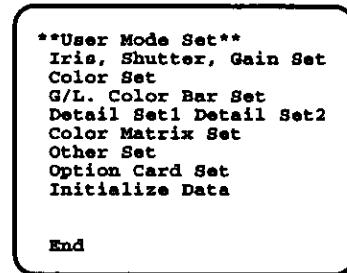
With RCU (RCB): Set the user set switch in the pocket to ON.

● MAIN MENU SCREEN

Main Menu of Halogen,
Fluorescent, Outdoor Mode



Main Menu of User Mode



(2) The setting item (flashing) changes each time the menu switch, item switch, or NO switch is pressed. Select [Option Card Set] and press the YES switch to display the [Option Card Set] submenu.

(3) Select an item to set using the menu switch and item switch.

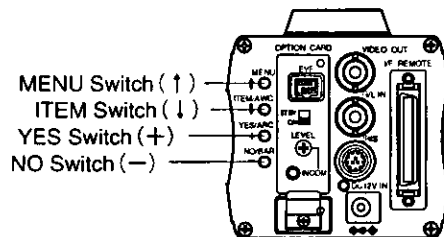
(4) Change the settings using the YES and NO switches.

(5) Select [Return] with the menu switch and item switch, and press the YES switch to return to the main menu.

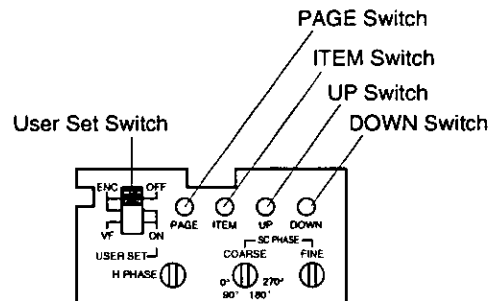
(6) The camera is now back in shooting condition.
Camera alone: Select [End] with the menu switch and item switch, then press the YES switch.
With RCU (RCB): Set the user set switch in the pocket to OFF.

The camera will now operate under the conditions thus set.

CAMERA



RCU (RCB)



■ Option Card Setting Submenu

| AW-PB301 | | AW-PB305 | | |
|----------------------|-----------------|----------|-----------------|-----|
| **Opation Card Set** | | | | |
| ① | Zebra Indicator | ON | Zebra Indicator | ON |
| ② | Zebra 1 Level | 70% | Zebra 1 Level | 70% |
| ③ | Zebra 2 Level | 85% | Zebra 2 Level | 85% |
| ④ | Safety Zone | I | Safety Zone | I |
| ⑤ | EVF Output | Y | EVF Output | Y |
| | Component | R/G/B | | |
| Return | | Return | | |

① Zebra Indicator [Zebra Indicator: OFF/ON]

ON: Zebra indicator is shown in the viewfinder.

OFF: Zebra indicator is not shown in the viewfinder.

Note: If [CVBS] is selected at Item [EVF Output: Y/CVBS] ④, the zebra indicator will not be shown.

② Zebra 1 Level Set [Zebra 1 Level: 70% to 109%]

Zebra 2 Level Set [Zebra 2 Level: 71% to 110%]

Zebra level 1 or 2 can be only when Zebra Indicator ① is at ON.

The zebra indicator can be shown in two steps using two zebra patterns.

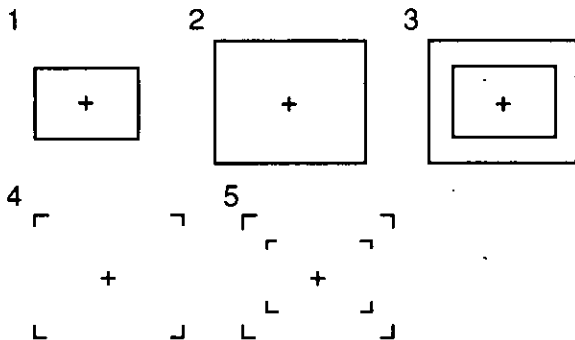
2 Level shows a finer zebra pattern than 1 level.

2 Level must be set at least 1% higher than 1 level.

③ Safety Zone Select [Safety Zone: 1 to 5/OFF]

A type of safety zone to be shown in the viewfinder can be selected.

No safety zone is shown if OFF is selected.



The inner frame indicates a safety zone of about 90% and the outer frame, a safety zone of about 95%.

Note: The safety zone and center marker indicate electrical positions, which may differ from optical positions.

④ Viewfinder Output Signal Select [EVF Output: Y/CVBS]

Y: Luminance signals are output to the viewfinder.

CVBS: Color signals are output to the viewfinder.
No zebra indicator will be shown.

⑤ Component Output Select [Component Output: R/G/B, Y/Pr/Pb, Y/C] (AW-PB301 only)

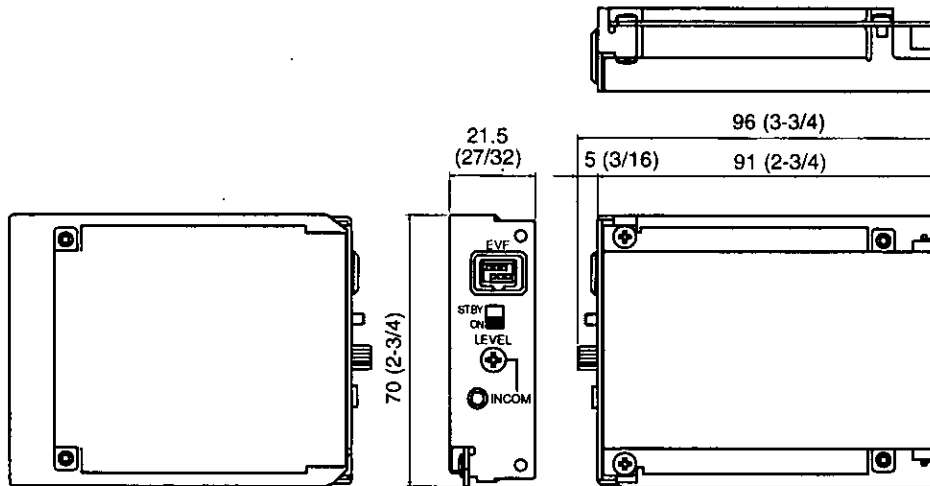
Component output signals can be selected.

Component output signals are output from the interface/remote connector on the rear of the camera.

Note: R/G/B output or Y/Pr/Pb output will be positive in reproduced image regardless of the settings made with [Nega/Posi Set] on the [Other Settings] submenu of the main menu.

APPEARANCE

mm (inch)



SPECIFICATIONS

| | |
|------------------------|---|
| Video output: | Y/C: Y: 1.0 V[p-p], C: 0.286 V[p-p] R/G/B: 0.7 V[p-p] (AW-PB301 only) Y/Pr/Pb: Y: 1.0 V[p-p], Pr/Pb: 0.7 V[p-p] (AW-PB301 only) SYNC: 2.0 V[p-p] sync signal (AW-PB301 only) |
| VF output: | 1.0 V[p-p], composite, high impedance |
| Intercom jack: | 3.5 mm in diameter |
| Switch: | Switching on the panel: EVF ST-BY/ON Switching on the menu: Zebra indicator ON/OFF, safety zone switching, EVF output switching, component output switching (AW-PB301 only) |
| Adjusting functions: | Intercom voice output level adjusted on the panel Zebra level adjusted using the menu |
| Source voltage: | 12 VDC (supplied from camera) |
| Power consumption: | 3.8 W (AW-PB301), 0.5 W (AW-PB305) |
| Operating temperature: | -10°C to +45°C (14°F to +113°F) |
| Operating humidity: | 30 % to 90 % |
| Dimensions: | 21.5 (W) x 70 (H) x 96 (D) mm [27/32" x 2-3/4" x 3-3/4"] |
| Weight: | 105 g |

Weight and dimensions indicated are approximate.
Specifications are subject to change without notice.

STANDARD ACCESSORIES

| | | | |
|--|------|-------------------------|-------|
| Intercom plug adapter (6.35 mm to 3.5 mm in diameter) | 1 pc | Screw (6 mm long) | 2 pcs |
| | | Screw (8 mm long) | 4 pcs |

Panasonic

PANASONIC BROADCAST & DIGITAL SYSTEMS COMPANY
DIVISION OF MATSUSHITA ELECTRIC CORPORATION OF AMERICA

Executive Office: 3330 Cahuenga Blvd W., Los Angeles, CA 90068
(323)436-3500

EASTERN ZONE: One Panasonic Way 4E-7, Secaucus, NJ 07094 (201)348-
Mid-Atlantic: One Panasonic Way 4E-7, Secaucus, NJ 07094 (201)348-
Southeast Region: 1225 Northbrook Parkway, Ste 1-160 Suwanee, GA 30024
(770)338-6845

Central Region: 1707 N Randall Road E1-C-1, Elgin, IL 60123 (847)468-52

WESTERN ZONE: 3330 Cahuenga Blvd W., Los Angeles, CA 90068 (323)436
Dallas Region: 6226 Abington Way, Houston, TX 77008 (713)802-2726

Government Marketing Department: 52 West Gude Drive, Rockville, MD 20850 (301)738-3840

PANASONIC CANADA INC.

5770 Ambler Drive, Mississauga, Ontario L4W 2T3 (905)238-2115

PANASONIC SALES COMPANY

DIVISION OF MATSUSHITA ELECTRIC OF PUERTO RICO, INC.

San Gabriel Industrial Park, 65th Infantry Ave., KM9.5 Carolina, Puerto Rico 00630 (809)750-